

Housing Component List

1720-HM-09

IMAGE NOT
AVAILABLE



ID	Part Number	Description	REQ	SPARE
1	1720-HM-09	Mini-Sonde Housing	1	-
2	1720-HM-09-CP	Mini-Sonde Cover Plate	1	-
3	1600-1712	Super Nozzle	1	-
4	SHCS-3/8x3/4	3/8"-16 x 3/4" Socket Head Cap Screw	2	2
5	SHCS-12MMx20MM	M12 x 20mm Socket Head Cap Screw	3	-

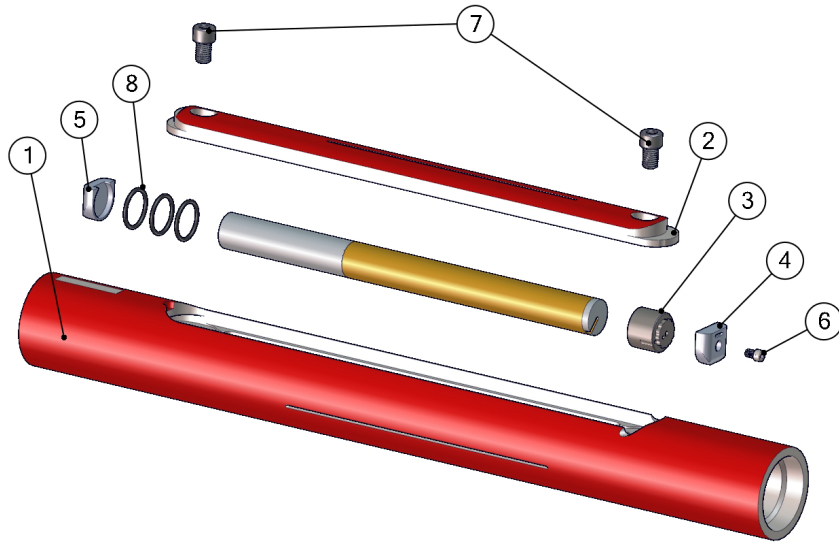
1920-HD-09



ID	Part Number	Description	REQ	SPARE
1	1920-HD-09	Mini-Sonde Housing	1	-
2	1920-HD-09-CP	Mini-Sonde Cover Plate	1	-
3	1920-HD-BLOCK	Mini-Beacon Timer	2	-
4	1600-1712	Super Nozzle	1	-
5	SHCS-3/8x3/4	3/8"-16 x 3/4" Socket Head Cap Screw	2	2
6	SHCS-12MMx20MM	M12 x 20mm Socket Head Cap Screw	3	-
7	O-RING-017-V	Sonde Support O-Ring	-	3

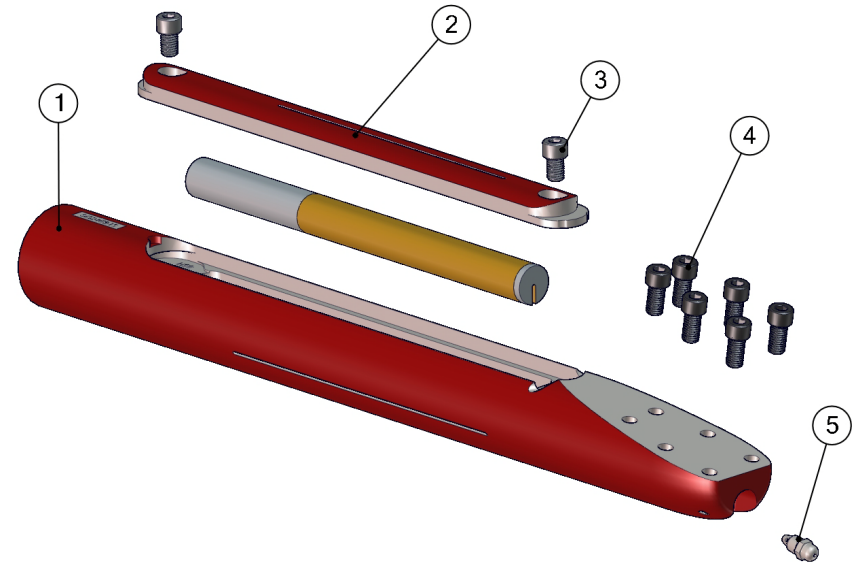
Housing Component List

3625-HT3



ID	Part Number	Description	REQ	SPARE
1	3625-HT3	Premium Sonde Housing	1	-
2	3625-HT3-CP	Sonde Pocket Cover Plate	1	-
3	3000-TIMER1	Sonde Timer Cap	1	-
4	3600-TIMER2	Sonde Timer Sprocket	1	-
5	3600-TIMER3	Sonde Back Support	1	-
6	SHCS-1/4X3/8 SS	1/4"-20x3/8" Stainless Steel Socket Head Cap Screw	1	-
7	SHCS1/2X3/4-N	1/2"-13x3/4" Socket Head Cap Screw with Nylon Patch	2	2
8	O-RING-124	#124 O-Ring	3	-

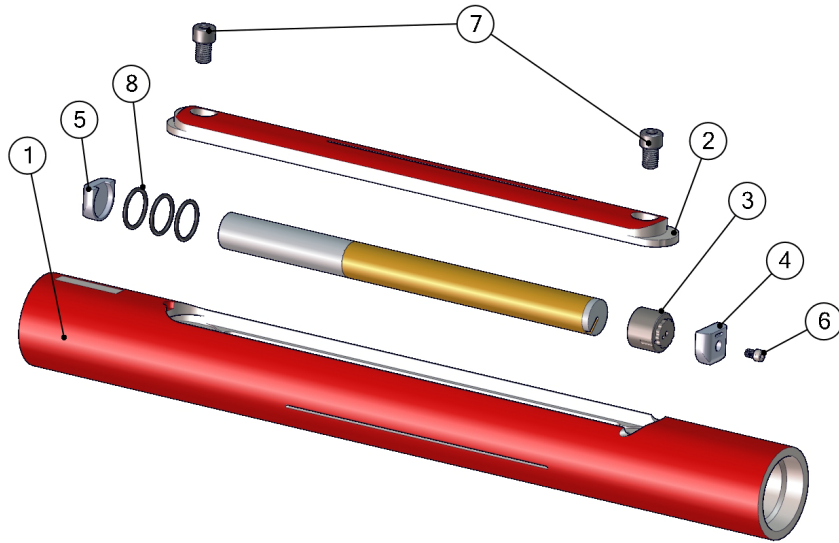
3625-HT3-13



ID	Part Number	Description	REQ	SPARE
1	3625-HT3-13	Premium Sonde Housing	1	-
2	3625-HT3-CP	Sonde Pocket Cover Plate	1	-
3	SHCS1/2X3/4-N	1/2"-13x3/4" Socket Head Cap Screw with Nylon Patch	2	2
4	SHCS-1/2x1	1/2"-13 x 1" Socket Head Cap Screw	6	-
5	1612-1712	Super Nozzle	1	-

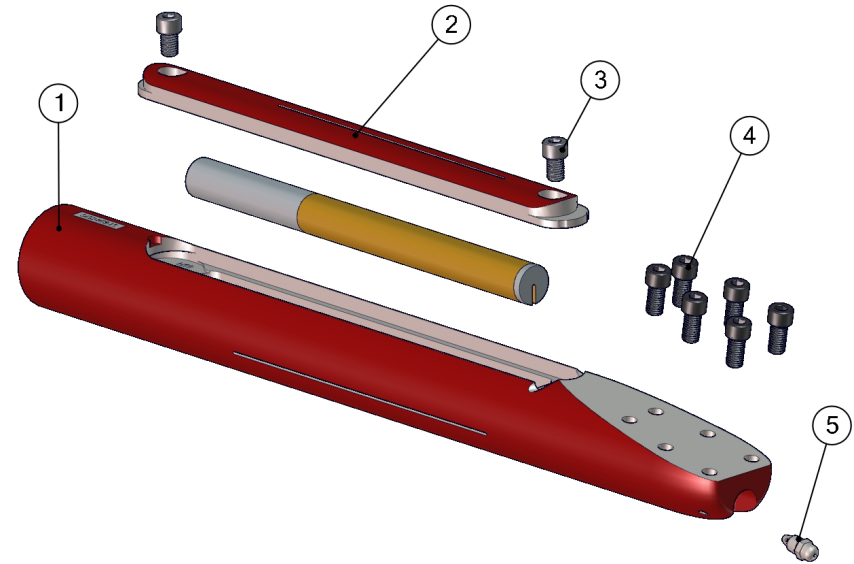
Housing Component List

3627-HT3



ID	Part Number	Description	REQ	SPARE
1	3627-HT3	Premium Sonde Housing	1	-
2	3627-HT3-CP	Sonde Pocket Cover Plate	1	-
3	3000-TIMER1	Sonde Timer Cap	1	-
4	3600-TIMER2	Sonde Timer Sprocket	1	-
5	3600-TIMER3	Sonde Back Support	1	-
6	SHCS-1/4X3/8 SS	1/4"-20x3/8" Stainless Steel Socket Head Cap Screw	1	-
7	SHCS1/2X3/4-N	1/2"-13x3/4" Socket Head Cap Screw with Nylon Patch	2	2
8	O-RING-124	#124 O-Ring	3	-

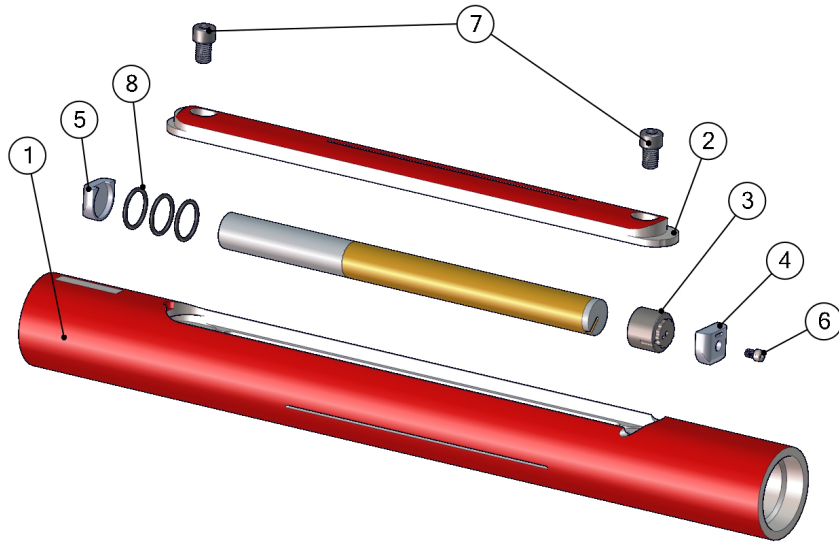
3627-HT3-13



ID	Part Number	Description	REQ	SPARE
1	3627-HT3-13	Premium Sonde Housing	1	-
2	3627-HT3-CP	Sonde Pocket Cover Plate	1	-
3	SHCS1/2X3/4-N	1/2"-13x3/4" Socket Head Cap Screw with Nylon Patch	2	2
4	SHCS-1/2x1	1/2"-13 x 1" Socket Head Cap Screw	6	-
5	1612-1712	Super Nozzle	1	-

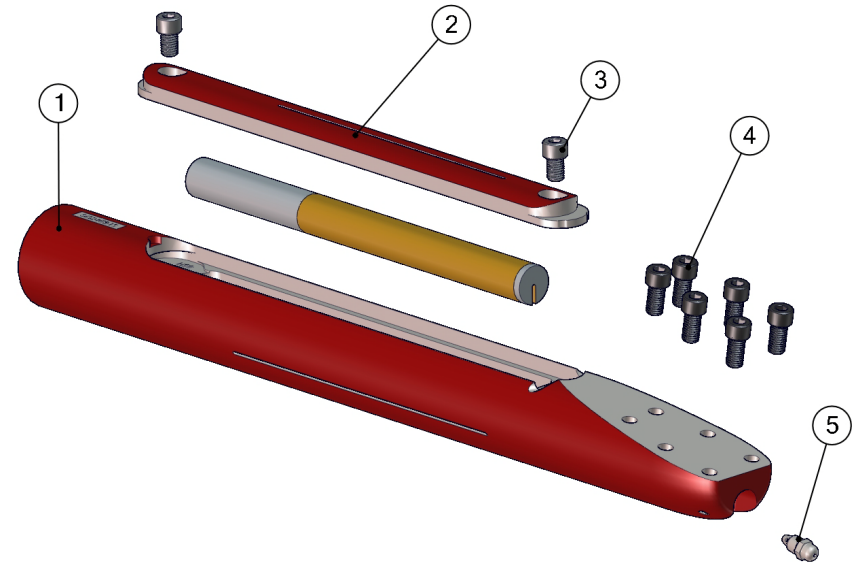
Housing Component List

3632-HT3



ID	Part Number	Description	REQ	SPARE
1	3632-HT3	Premium Sonde Housing	1	-
2	3632-HT3-CP	Sonde Pocket Cover Plate	1	-
3	3000-TIMER1	Sonde Timer Cap	1	-
4	3600-TIMER2	Sonde Timer Sprocket	1	-
5	3600-TIMER3	Sonde Back Support	1	-
6	SHCS-1/4X3/8 SS	1/4"-20x3/8" Stainless Steel Socket Head Cap Screw	1	-
7	SHCS1/2X3/4-N	1/2"-13x3/4" Socket Head Cap Screw with Nylon Patch	2	2
8	O-RING-124	#124 O-Ring	3	-

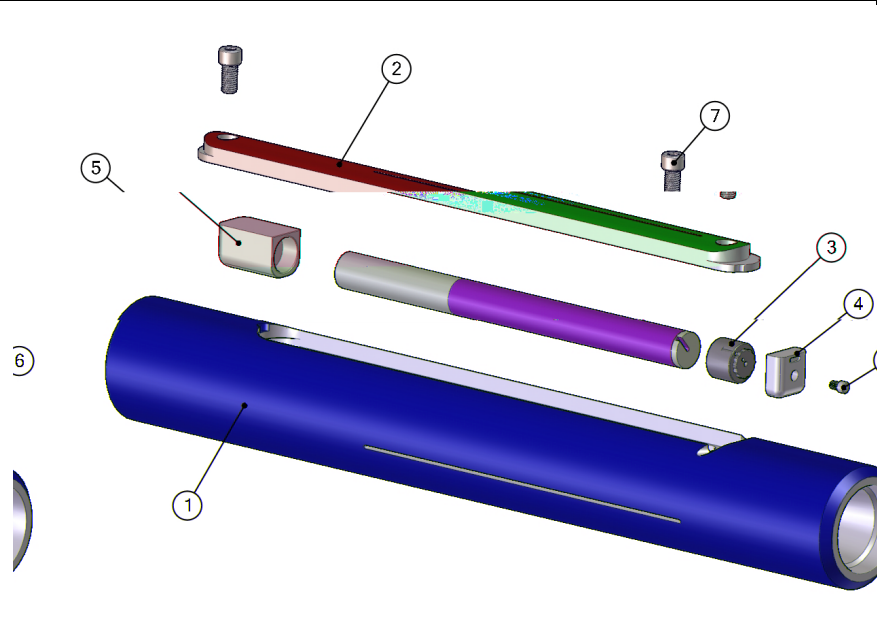
3632-HT3-13



ID	Part Number	Description	REQ	SPARE
1	3627-HT3-13	Premium Sonde Housing	1	-
2	3627-HT3-CP	Sonde Pocket Cover Plate	1	-
3	SHCS1/2X3/4-N	1/2"-13x3/4" Socket Head Cap Screw with Nylon Patch	2	2
4	SHCS-1/2x1	1/2"-13 x 1" Socket Head Cap Screw	6	-
5	1612-1712	Super Nozzle	1	-

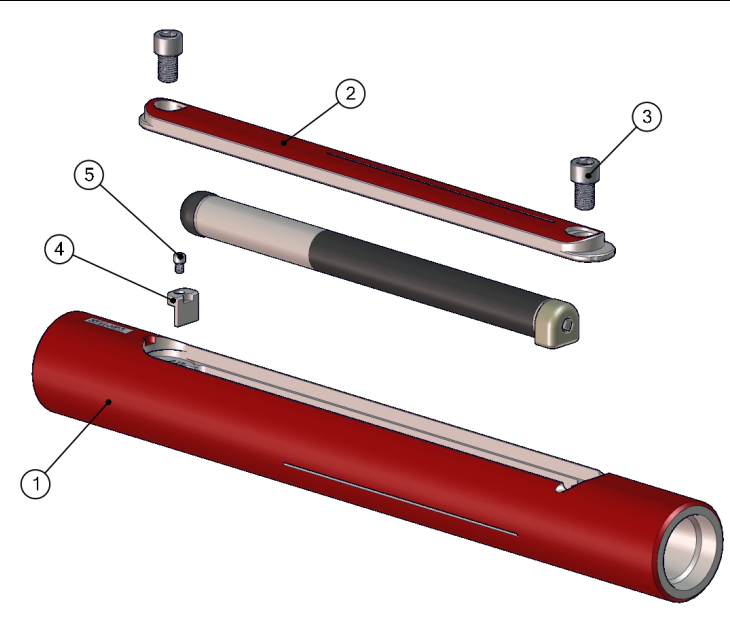
Housing Component List

3742-HU3 (Digitrak)



ID	Part Number	Description	REQ	SPARE
1	3742-HU3	Premium Sonde Housing	1	-
2	3742-HU3-CP	Sonde Pocket Cover Plate	1	-
3	3000-TIMER1	Sonde Timer Cap	1	-
4	3700-TIMER2	Sonde Timer Sprocket	1	-
5	3700-TIMER3	Sonde Back Support	1	-
6	SHCS-1/4X3/8 SS	1/4"-20x3/8" Stainless Steel Socket Head Cap Screw	1	-
7	SHCS1/2X3/4-N	1/2"-13x3/4" Socket Head Cap Screw with Nylon Patch	2	2
8	O-RING-124	#124 O-Ring	3	-

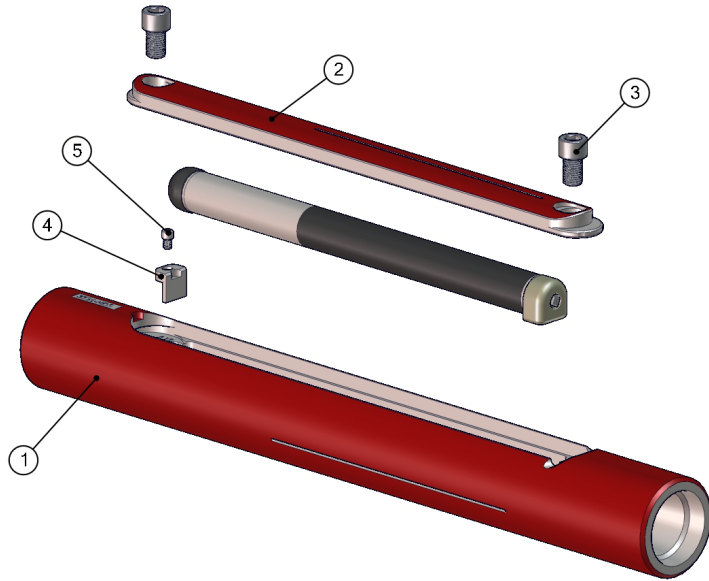
3742-HU3 (Subsite)



ID	Part Number	Description	REQ	SPARE
1	3742-HU3	Premium Sonde Housing	1	-
2	3742-HU3-CP	Sonde Pocket Cover Plate	1	-
3	SHCS1/2X3/4-N	1/2"-13x3/4" Socket Head Cap Screw with Nylon Patch	2	2
4	86BV2-SPACER	Spacer Block for 86BV2	1	-
5	LHCS-1/4X3/8	1/4"-20x3/8" Low Head Cap Screw	1	-

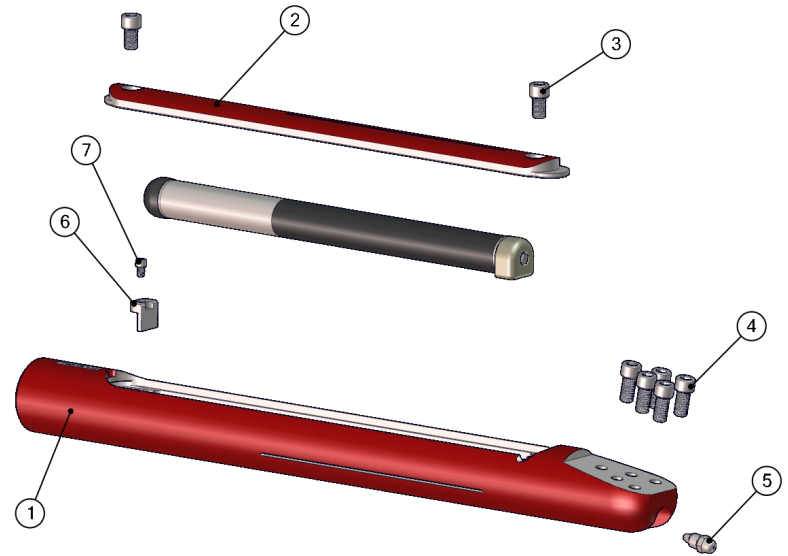
Housing Component List

3927-HD3



ID	Part Number	Description	REQ	SPARE
1	3927-HD3	Premium Sonde Housing	1	-
2	3927-HD3-CP	Sonde Pocket Cover Plate	1	-
3	SHCS12MMx20 MM-N	M12x20mm Socket Head Cap Screw with Nylon Patch	2	2
4	86BV2-SPACER	Spacer Block for 86BV2	1	-
5	LHCS-1/4X3/8	1/4"-20x3/8" Low Head Cap Screw	1	-

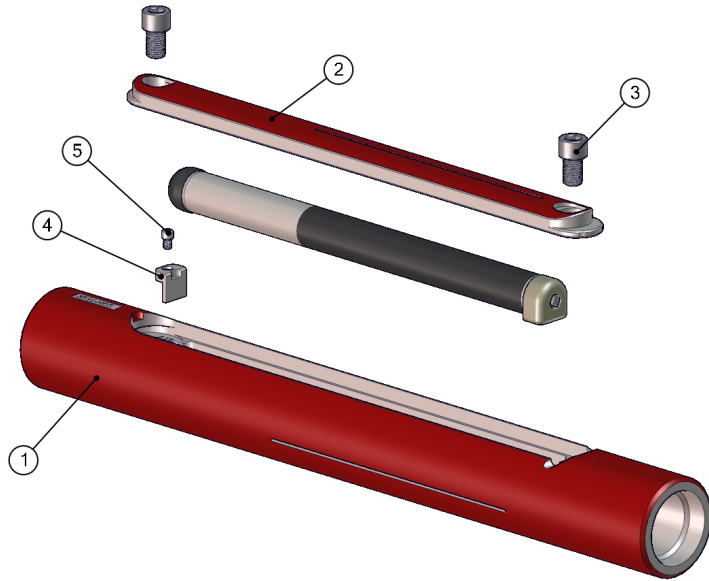
3927-HD3-14



ID	Part Number	Description	REQ	SPARE
1	3927-HD3-14	Premium Sonde Housing	1	-
2	3927-HD3-CP	Sonde Pocket Cover Plate	1	-
3	SHCS12MMx20 MM-N	M12x20mm Socket Head Cap Screw with Nylon Patch	2	2
4	SHCS-12MMx25MM	M12x25mm Socket Head Cap Screw	5	-
5	1612-1712	Super Nozzle	1	-
6	86BV2-SPACER	Spacer Block for 86BV2	1	-
7	LHCS-1/4X3/8	1/4"-20x3/8" Low Head Cap Screw	1	-

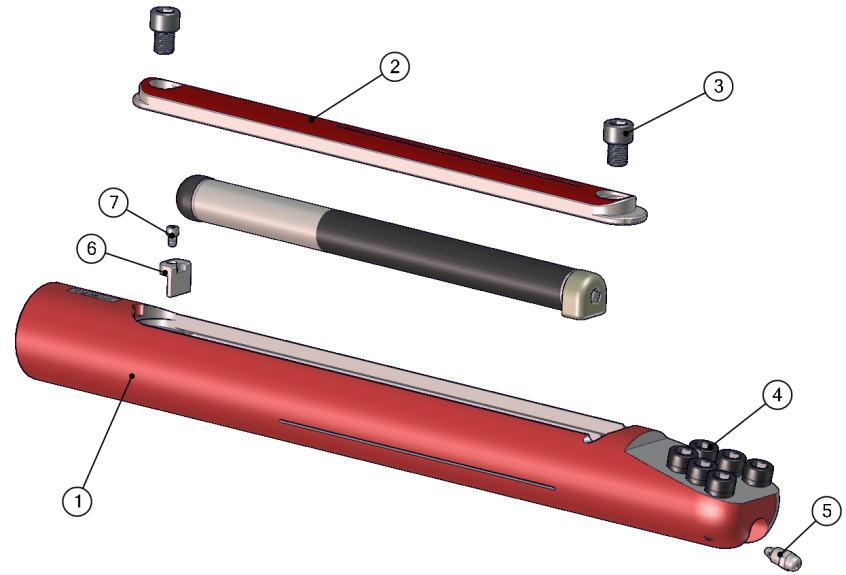
Housing Component List

3932-HD3



ID	Part Number	Description	REQ	SPARE
1	3932-HD3	Premium Sonde Housing	1	-
2	3935-HD3-CP	Sonde Pocket Cover Plate	1	-
3	SHCS16MMx25 MM-N	M16x25mm Socket Head Cap Screw with Nylon Patch	2	2
4	86BV2-SPACER	Spacer Block for 86BV2	1	-
5	LHCS-1/4X3/8	1/4"-20x3/8" Low Head Cap Screw	1	-

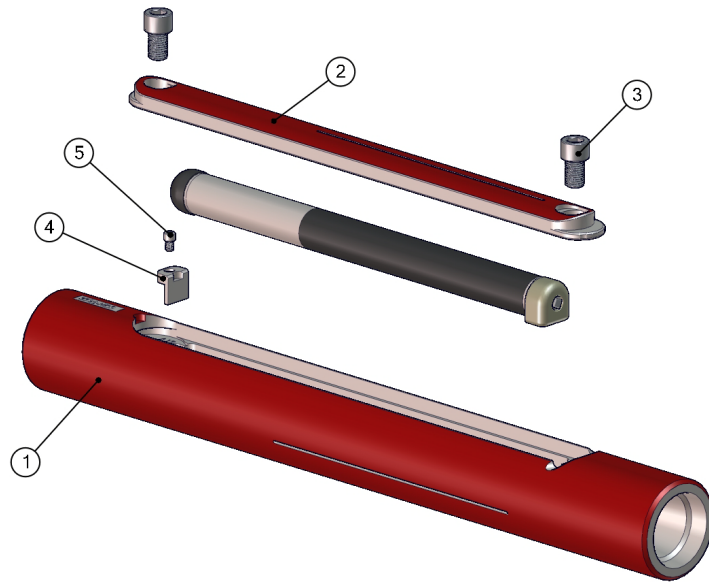
3932-HD3-15



ID	Part Number	Description	REQ	SPARE
1	3932-HD3-15	Premium Sonde Housing	1	-
2	3935-HD3-CP	Sonde Pocket Cover Plate	1	-
3	SHCS16MMx25 MM-N	M16x25mm Socket Head Cap Screw with Nylon Patch	2	2
4	SHCS-16MMx35MM	M16x35mm Socket Head Cap Screw	6	-
5	1612-1712	Super Nozzle	1	-
6	86BV2-SPACER	Spacer Block for 86BV2	1	-
7	LHCS-1/4X3/8	1/4"-20x3/8" Low Head Cap Screw	1	-

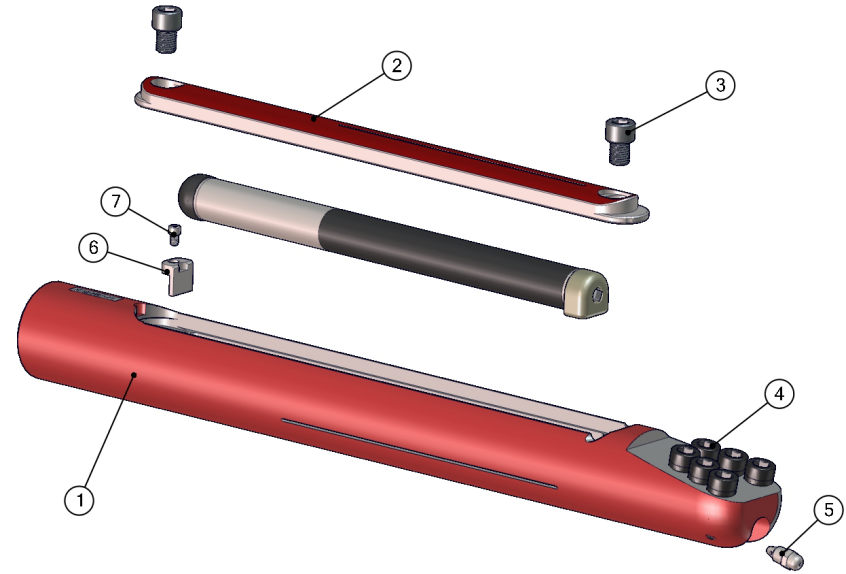
Housing Component List

3935-HD3



ID	Part Number	Description	REQ	SPARE
1	3935-HD3	Premium Sonde Housing	1	-
2	3935-HD3-CP	Sonde Pocket Cover Plate	1	-
3	SHCS16MMx25MM-N	M16x25mm Socket Head Cap Screw with Nylon Patch	2	2
4	86BV2-SPACER	Spacer Block for 86BV2	1	-
5	LHCS-1/4X3/8	1/4"-20x3/8" Low Head Cap Screw	1	-

3935-HD3-15



ID	Part Number	Description	REQ	SPARE
1	3935-HD3-15	Premium Sonde Housing	1	-
2	3935-HD3-CP	Sonde Pocket Cover Plate	1	-
3	SHCS16MMx25MM-N	M16x25mm Socket Head Cap Screw with Nylon Patch	2	2
4	SHCS-16MMx35MM	M16x35mm Socket Head Cap Screw	6	-
5	1612-1712	Super Nozzle	1	-
6	86BV2-SPACER	Spacer Block for 86BV2	1	-
7	LHCS-1/4X3/8	1/4"-20x3/8" Low Head Cap Screw	1	-