

3625-HT3-13

USER INSTRUCTIONS



Melfred Borzall housings are built to last. They are machined from high quality, 4340 alloy steel and feature contoured pockets to eliminate stress concentrations, reducing the risk of cracking. Our unique lid design allows for larger locking bolts, keeping your investment safe in tough conditions. We've also made our housings easy to use by engraving the direction of drilling and the part number for easy identification. Include the one-of-a-kind super nozzle which sprays in the off of centerline to aid steering and you've got the top of the line. Here at Melfred Borzall, we've thought of everything; so you don't have to.

Important!

Read and understand the manufacturer's manual(s) for the directional drilling machine, locating equipment and all attachments including additional safety manual(s) provided with this tool.



Danger!

Do not use a pipe wrench to remove directly coupled tools. The rod could rotate causing the device to strike you causing serious injury or death.



Danger!

Stay clear of rotating drill stem and tooling. You can become caught in the rotating drill stem or tooling causing serious injury or death.



Danger!

Do not wear loose clothing. Loose articles of clothing can become tangled around the drill stem or tooling causing serious injury or death.



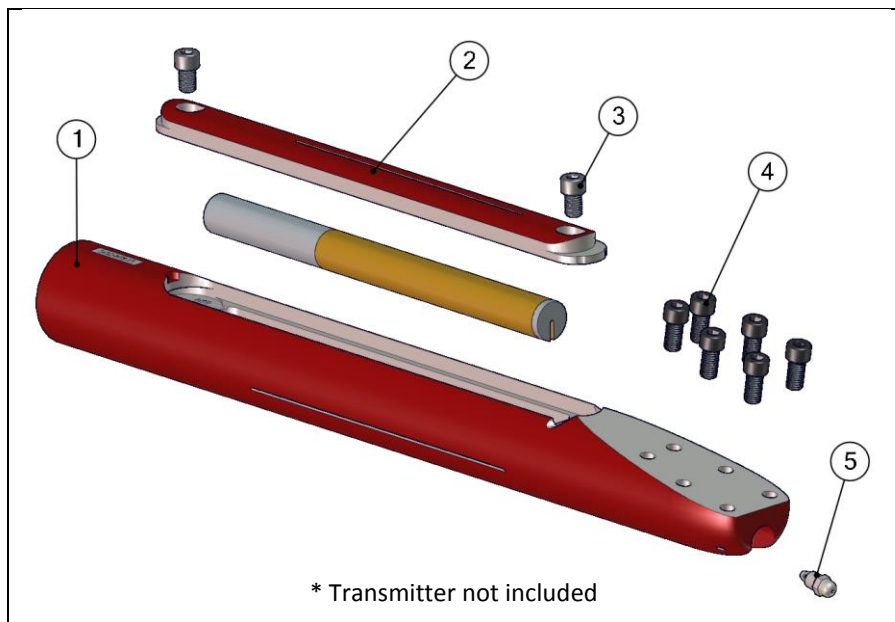
Call before you dig – dial 811
(USA only)
1-888-258-0808
(USA & Canada)

USA: (800) 558-7500
Int'l: (805) 739-0118

MELFRED
BORZALL


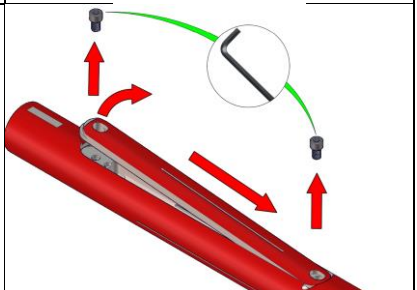

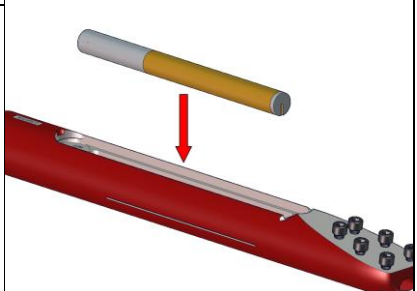
3625-HT3-13

In The Box

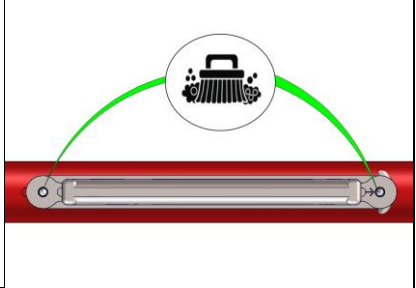
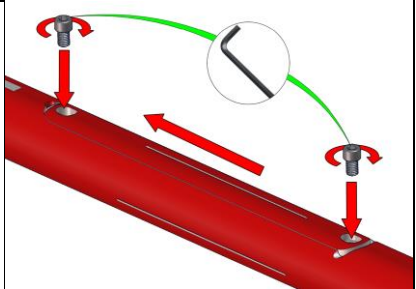
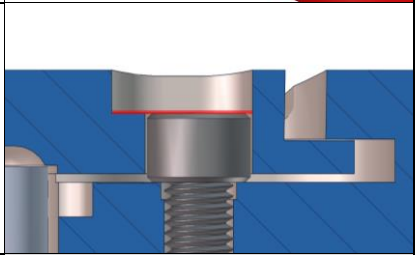



ID	Part Number	Description	REQ	SPARE
1	3625-HT3-13	Premium Sonde Housing	1	-
2	3625-HT3-CP	Sonde Pocket Cover Plate	1	-
3	SHCS1/2x3/4-N	1/2"-13x3/4" Socket Head Cap Screw with Nylon Patch	2	2
4	SHCS-1/2x1	1/2"-13x1" Socket Head Cap Screw	6	-
5	1600-1712	Super Nozzle	1	-
-	AW-3/8	3/8" Allen Wrench	-	1

USER INSTRUCTIONS

<p>1. Lock out the drilling machine, following the manufacturer's instructions, before doing any work to tools or drill stem.</p>	 A black and white icon of a padlock with a keyhole. A curved arrow above the padlock points to the left, indicating a locking action.
<p>2. Remove the lid bolts. Then remove the lid by sliding it forward and prying up from the back.</p>	 A red 3D illustration of the tool's housing. A green line with an arrow points from a bolt on the lid to a circular inset showing an Allen key being used to turn the bolt. Red arrows indicate the lid being slid forward and then prying up from the back.
<p>3. Install the directional blade of your choice onto the housing steer face. Tighten each bolt to the recommended torque of 1,800 inch-pounds (200 N-m).</p>	 A red 3D illustration showing a red directional blade being aligned with the housing's steer face. Several bolts are shown above the blade, indicating they will be used to secure it.
<p>4. Install the transmitter so that the indexing notch in the transmitter seats around the mating tab in the housing pocket. When properly secured, the sonde will resist rotation within the pocket.</p>	 A red 3D illustration showing a yellow and white transmitter being inserted into a pocket on the housing. A red arrow points down to the transmitter.

3625-HT3-13

<p>5. Ensure that the bolt holes are completely clear of any debris as unclean holes can prevent bolts from properly securing the lid.</p>	
<p>6. Replace the lid and install the bolts with the provided Allen Wrench. Tighten each bolt to recommended torque of 1,800 inch-pounds (200 N-m).</p> <p>Replace bolts with new after 10 uses.</p>	
<p>7. Ensure that the bolts are properly seated by verifying that the bolt head is level with the machined shelf beside the hole.</p>	
<p>8. Begin your bore. Closely monitor sonde temperature to prevent overheating.</p>	
<p>9. When the bore is complete, remove the components from the housing body and clean all parts thoroughly.</p>	