

3927-HD3

USER INSTRUCTIONS



Melfred Borzall housings are built to last. They are machined from high quality, 4340 alloy steel and feature contoured pockets to eliminate stress concentrations, reducing the risk of cracking. Our unique lid design allows for larger locking bolts, keeping your investment safe in tough conditions. We've also made our housings easy to use by engraving the direction of drilling and the part number for easy identification. Here at Melfred Borzall, we've thought of everything; so you don't have to.

Important! Read and understand the manufacturer's manual(s) for the directional drilling machine, locating equipment and all attachments including additional safety manual(s) provided with this tool.



Danger!

Do not use a pipe wrench to remove directly coupled tools. The rod could rotate causing the device to strike you causing serious injury or death.



Danger!

Stay clear of rotating drill stem and tooling. You can become caught in the rotating drill stem or tooling causing serious injury or death.



Danger!

Do not wear loose clothing. Loose articles of clothing can become tangled around the drill stem or tooling causing serious injury or death.



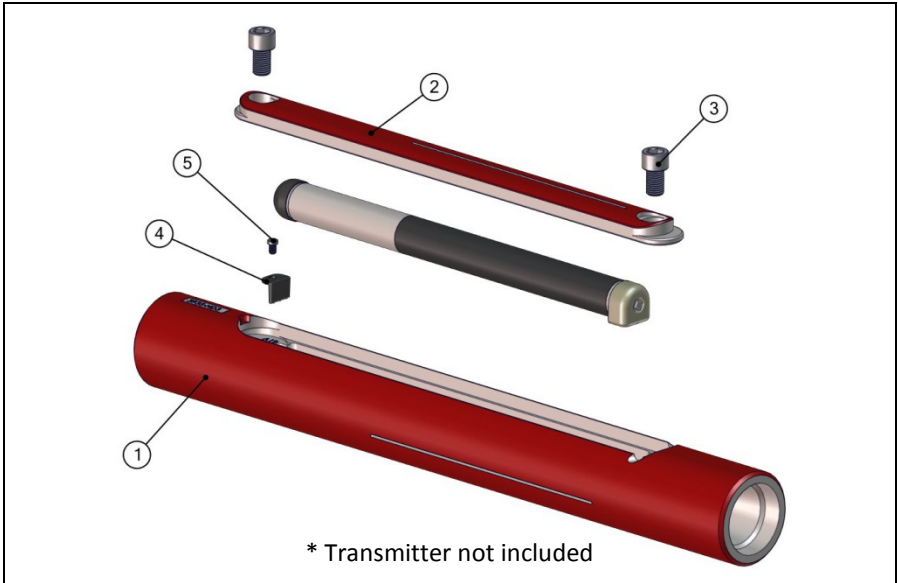
Call before you dig—dial 811
(USA only)
1-888-258-0808
(USA & Canada)

USA: (800) 558-7500
Int'l: (805) 739-0118

MELFRED
BORZALL


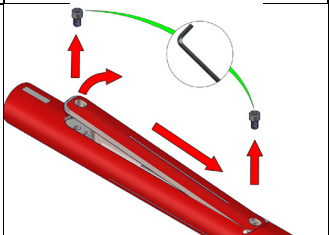

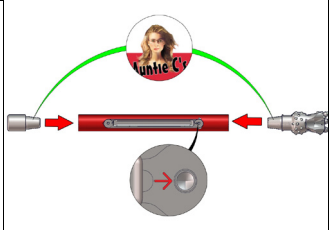
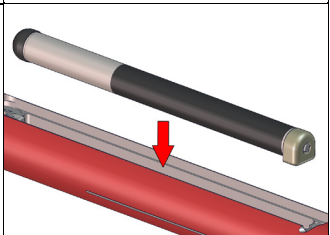
3927-HD3

In The Box

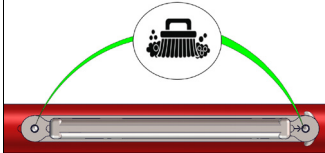
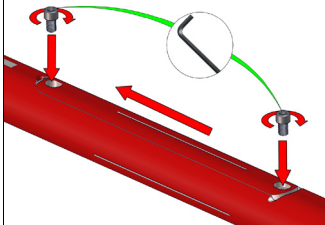
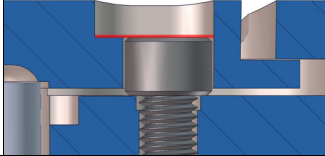



ID	Part Number	Description	REQ	SPARE
1	3927-HD3	Premium Sonde Housing	1	-
2	3927-HD3-CP	Sonde Pocket Cover Plate	1	-
3	SHCS12MMx20MM-N	M12x20mm Socket Head Cap Screw with Nylon Patch	2	2
4	86BV2-SPACER	Spacer Block for 86BV2	1	-
5	LHCS-1/4x3/8	1/4"-20 x 3/8" Low-Profile Socket Head Cap Screw	1	-
-	AW-10MM	10mm Allen Wrench	-	1
-	AW-1/8	1/8" Allen Wrench	-	1

USER INSTRUCTIONS

<p>1. Lock out the drilling machine, following the manufacturer's instructions, before doing any work to tools or drill stem.</p>	
<p>2. Remove the lid bolts. Then remove the lid by sliding it forward and prying up from the back.</p>	
<p>3a. If the 86BV2 transmitter is used, leave the black spacer block installed.</p>	
<p>3b. If the 86B transmitter is used, remove the black spacer block by unscrewing the bolt holding it in place.</p>	
<p>4. Apply anti-seize to threads. Install the drill head onto the front thread (indicated by the engraved arrow) and the removable tailpiece onto the back thread. Ensure that each of the bits are torqued to 1,300 ft-lbs.</p>	
<p>5. Install the transmitter so that the flat bottom of the front bumper is down. When properly secured, the sonde will fit snugly and resist rotation within the pocket.</p>	

3927-HD3

<p>6. Ensure that the bolt holes are completely clear of any debris as unclean holes can prevent bolts from properly securing the lid.</p>	
<p>7. Replace the lid and install the bolts with the provided Allen Wrench. Tighten each bolt to recommended torque of 1,400 inch-pounds (165 N-m). Replace bolts with new after 10 uses.</p>	
<p>8. Ensure that the bolts are properly seated by verifying that the bolt head is level with the machined shelf beside the hole.</p>	
<p>9. To roll calibrate your 750 transmitter:</p> <ul style="list-style-type: none">a. Place the housing assembly at the 12:00 position.b. Push and hold the F/A/L/R key and press the depth key for 3 seconds.c. Continue pressing F/A/L/R key and roll will set to 12:00. <p>See tracker manual for more information.</p>	
<p>10. Begin your bore. Closely monitor sonde temperature to prevent overheating.</p>	
<p>11. When the bore is complete, remove the components from the housing body and clean all parts thoroughly.</p>	